

RA63-1 / SMRA63-1

Cascadable Amplifier
2000 to 6000 MHz

Rev. V2

Features

- ULTRAWIDE BANDWIDTH: 1.8-6.2 GHz (TYP.)
- HIGH GAIN: 19.5 dB (TYP.)
- HIGH OUTPUT POWER: +16.0 dBm (TYP)
- LOW POWER SUPPLY VOLTAGE: +5 Vdc

Description

The RA63-1 microwave amplifier is a discrete hybrid design, which uses thin film manufacturing processes for accurate performance and high reliability.

This two stage GaAs FET feedback amplifier design displays impressive performance characteristics over a broadband frequency range.

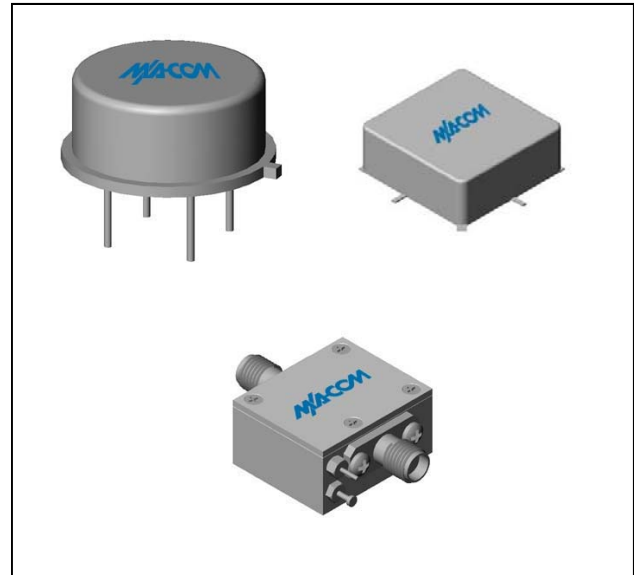
Both TO-8B and Surface Mount packages are hermetically sealed, and MIL-STD-883 environmental screening is available.

Ordering Information

Part Number	Package
RA63-1	TO-8B
SMRA63-1	Surface Mount
CRA63-1 **	SMA Connectorized

** The SMA Connectorized version is not RoHs compliant.

Product Image



Electrical Specifications: $Z_0 = 50\Omega$, $V_{CC} = +5 V_{DC}$

Parameter	Units	RA63-1 / SMRA63-1			CRA63-1	
		Typical	Guaranteed		Typical	Guaranteed
		25°C	0° to 50°C	-54° to +85°C*	25°C	0° to 50°C
Frequency	GHz	1.8-6.2	2.0-6.0	2.0-6.0	1.8-6.2	2.0-6.0
Small Signal Gain (min)	dB	20.3	18.5	18.0	19.7	18.0
Gain Flatness (max)	dB	±0.7	±1.0	±1.2	±1.1	±1.3
Reverse Isolation	dB	50			50	
Noise Figure (max)	dB	3.5	6.0	6.5	4.0	6.5
Power Output @ 1 dB comp. (min)	dBm	16.0	13.0	12.5	15.5	12.5
IP3	dBm	+32			+31.5	
IP2	dBm	+50			+49.5	
Second Order Harmonic IP	dBm	+54			+53.5	
VSWR Input / Output (max)		2.0:1 / 1.9:1	2.2:1 / 2.1:1	2.3:1 / 2.2:1	2.2:1 / 2.1:1	2.4:1 / 2.3:1
DC Current @ 5 Volts (max)	mA	110	135	140	110	140

1

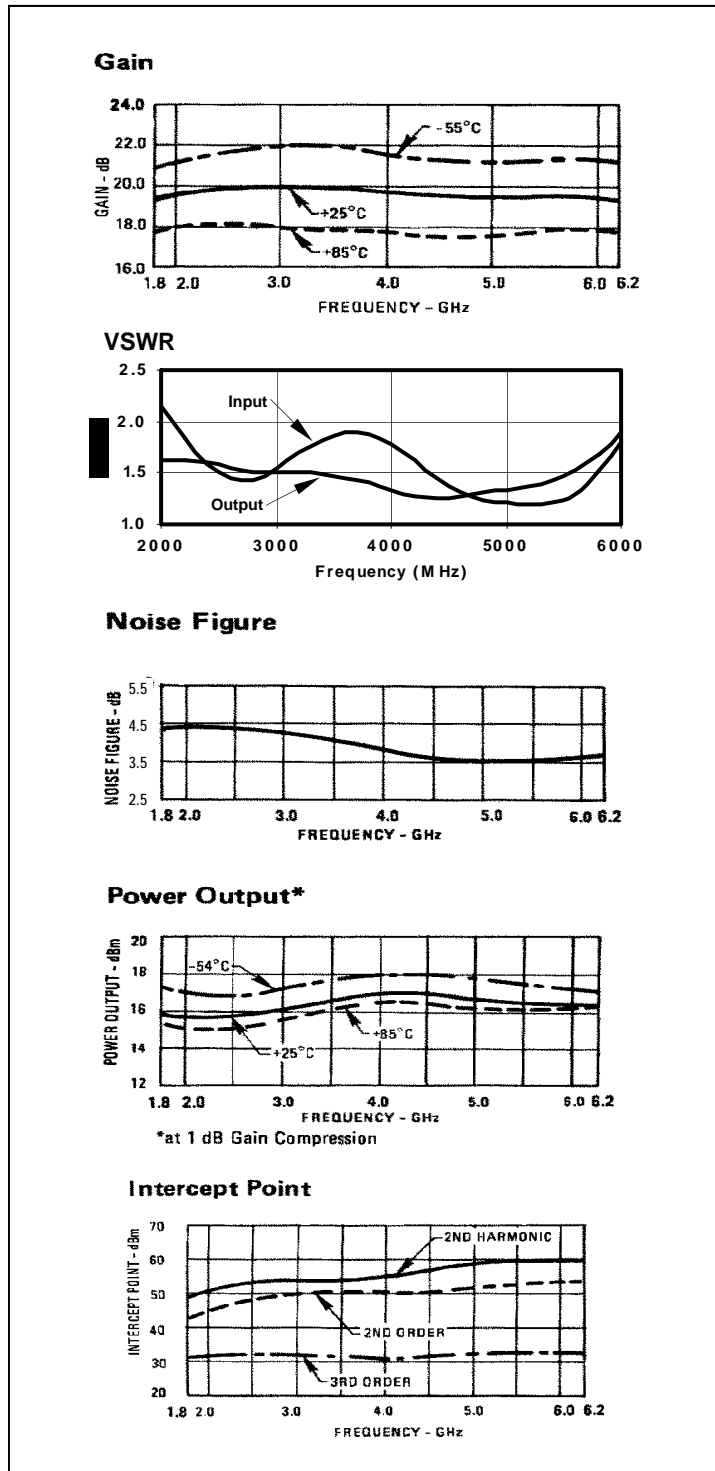
ADVANCED: Data Sheets contain information regarding a product M/A-COM Technology Solutions is considering for development. Performance is based on target specifications, simulated results, and/or prototype measurements. Commitment to develop is not guaranteed.

PRELIMINARY: Data Sheets contain information regarding a product M/A-COM Technology Solutions has under development. Performance is based on engineering tests. Specifications are typical. Mechanical outline has been fixed. Engineering samples and/or test data may be available. Commitment to produce in volume is not guaranteed.

• **North America** Tel: 800.366.2266 • **Europe** Tel: +353.21.244.6400
 • **India** Tel: +91.80.4155721 • **China** Tel: +86.21.2407.1588
 Visit www.macomtech.com for additional data sheets and product information.

M/A-COM Technology Solutions Inc. and its affiliates reserve the right to make changes to the product(s) or information contained herein without notice.

Typical Performance Curves at +25°C



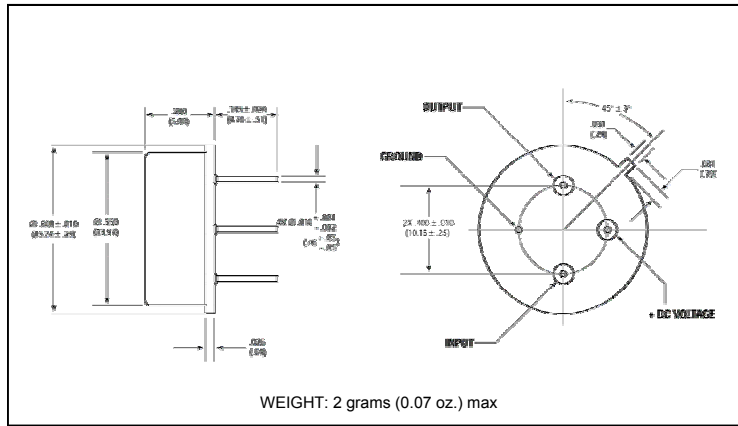
Absolute Maximum Ratings

Parameter	Absolute Maximum
Storage Temperature	-64°C to +125°C
Case Temperature	+125°C
DC Voltage	+6 V
Continuous Input Power	+7 dBm
Short Term Input power (1 minute max.)	100 mW
Peak Power (3 μsec max.)	0.25 W
"S" Series Burn-In Temperature (case)	+125°C

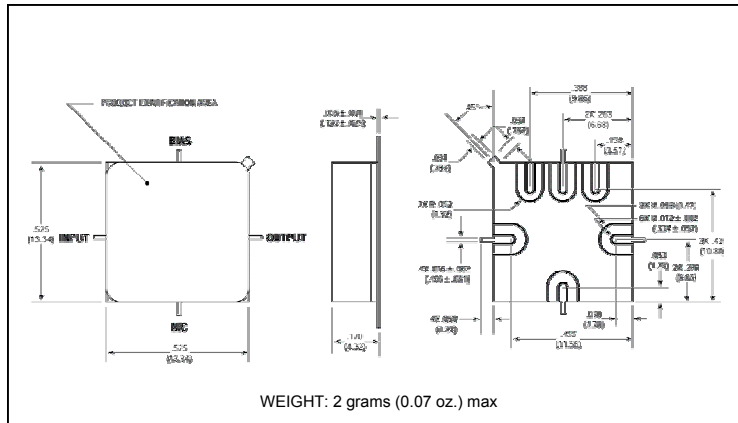
Thermal Data: $V_{CC} = +5 V_{DC}$

Parameter	Rating
Thermal Resistance θ_{jc}	185°C/W
Transistor Power Dissipation P_d	0.203 W
Junction Temperature Rise Above Case T_{jc}	+38°C

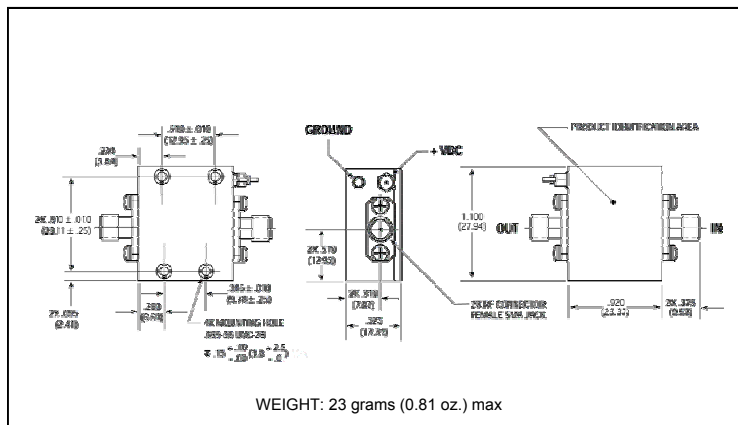
Outline Drawing: TO-8B *



Outline Drawing: Surface Mount *



Outline Drawing: SMA Connectorized *



* Dimensions are inches (millimeters) ± 0.015 (0.38) unless otherwise specified.